

13
20/1/24

5
JAN-24

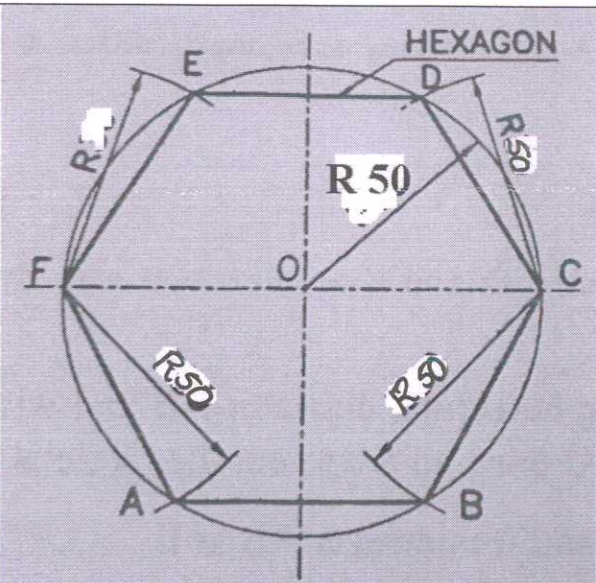
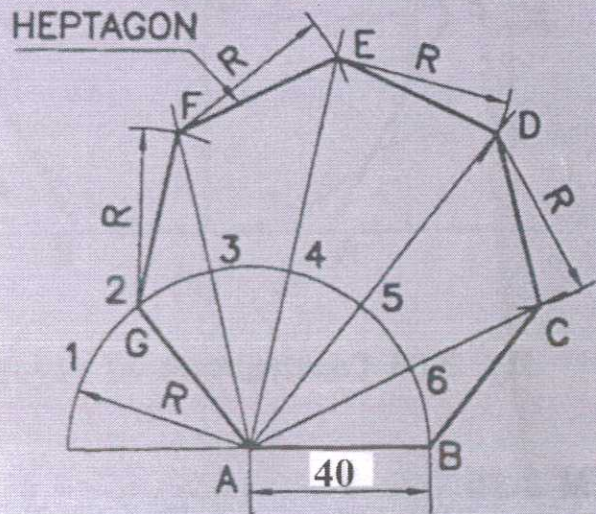
5

Scoring Indicators

COURSE NAME: ENGINEERING GRAPHICS

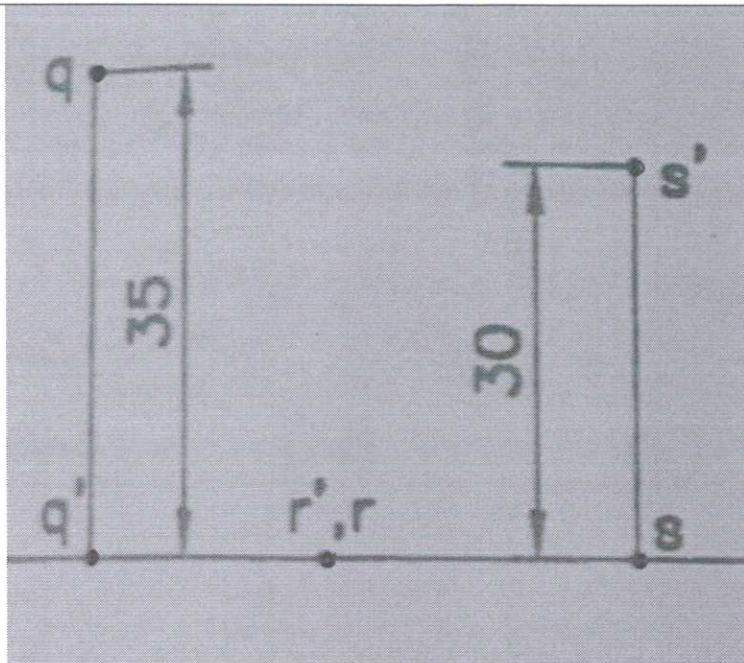
COURSE CODE: 1005

QID: 2110220186 B

Q.No	Scoring Indicators	Split score	Sub Total
PART A			5
I.1	Type G lines or chain thin lines	1	1
I.2	Less than one	1	1
I.3	Line of intersection of the horizontal and vertical planes, denoted by xy line.	0.5 × 2	1
I.4	In oblique projection, projection lines are drawn oblique to the plane of projection, but the projection lines are parallel to each other.	1	1
I.5	Auto CAD, Electrical CAD, STAAD, Mechanical Desk Top (any two)	0.5 × 2	1
PART B			40
II.1		<p>Drg. 4 Dim. 2 Labelling. 1 Neatness. 1</p>	8
II.2		<p>Drg. 4 Dim. 2 Labelling. 1 Neatness. 1</p>	8

<p>II. 3</p>	<p>ELLIPSE TANGENT NORMAL</p> <p>P P₃ B T Q</p> <p>3' P₂</p> <p>2' P₁</p> <p>1' P₁</p> <p>V F₁ 2 3 O F₂ V' 110</p> <p>R=55</p> <p>R=VO</p> <p>S B' R</p> <p>180</p>	<p>Drg. 6 Labelling. 1 Neatness. 1</p> <p>Normal & Tangent not required</p>	<p>8</p>
<p>II. 4</p>	<p>TANGENT, TT NORMAL, NN</p> <p>D 30</p> <p>N' P T 1</p> <p>N 50</p> <p>T A V 1 2 3 4 B</p> <p>F</p> <p>P₁</p> <p>P₂ P₃ P₄</p> <p>PARABOLA</p> <p>R=A1</p>	<p>Drg. 6 Labelling. 1 Neatness. 1 Normal & Tangent not required</p>	<p>8</p>

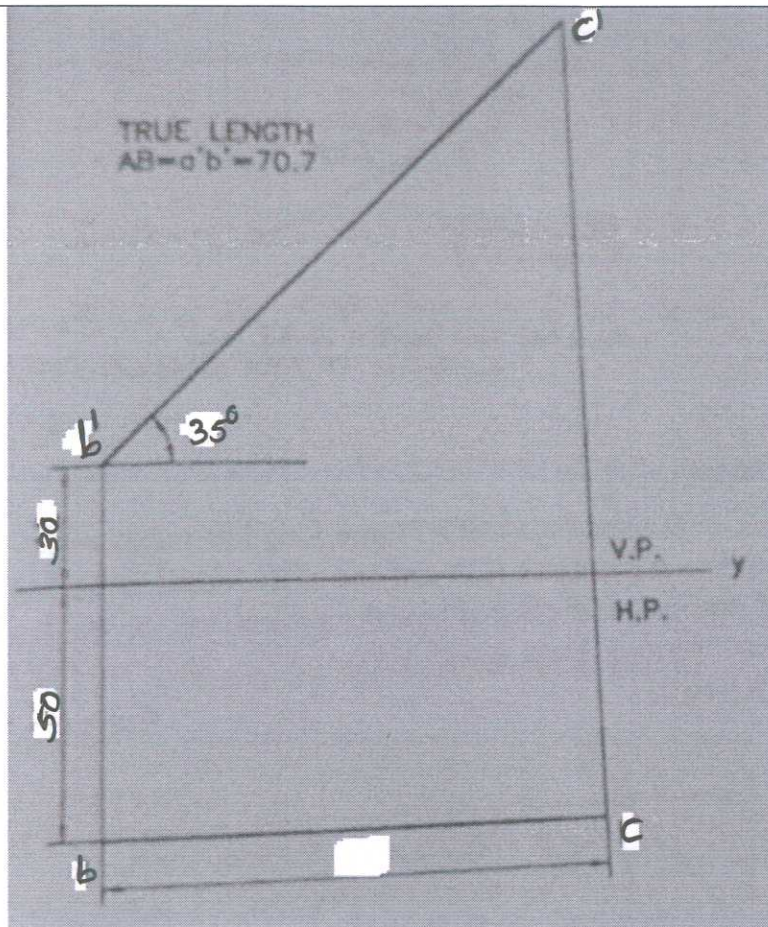
II. 5



Points 2×3
Dim 1
Neatness 1

8

II.6



Proj 6
Dim 1
Neatness 1

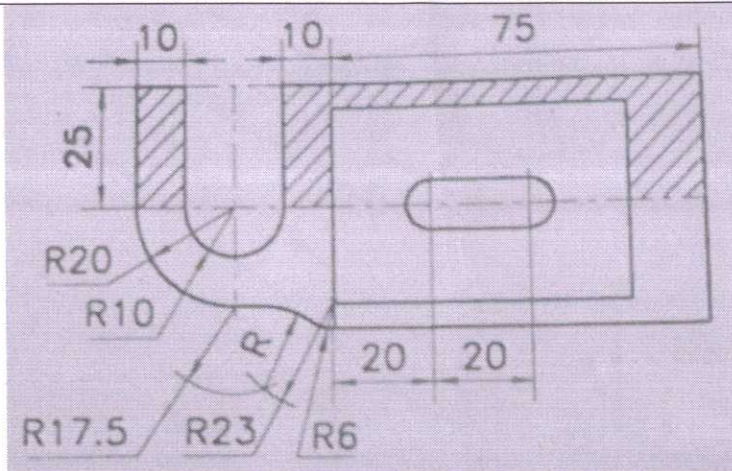
8

II.7		Proj 5 True length 1 Dim 1 Neatness 1	8
------	--	--	---

PART C

III.1		Front view 7 Top view 5 Dim 2 Neatness 1	30
-------	--	---	----

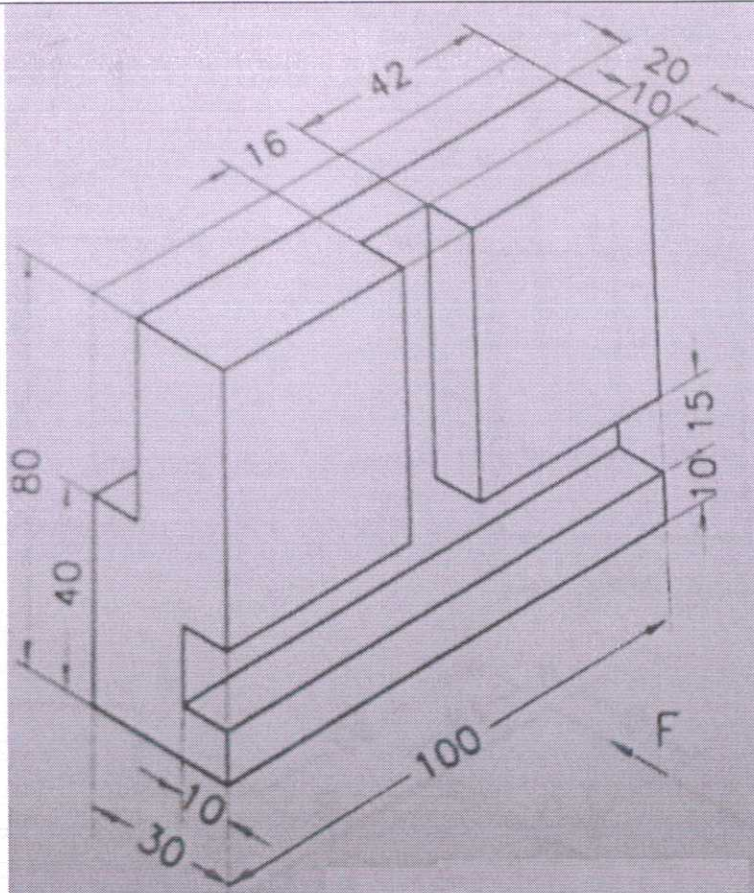
III.2



Section 7
Top
view 5
Dim 2
Neatness
1

15

III.3



Isometric
view 10
Isometric
angle
line 2
Dim 2
Neatness
1

15